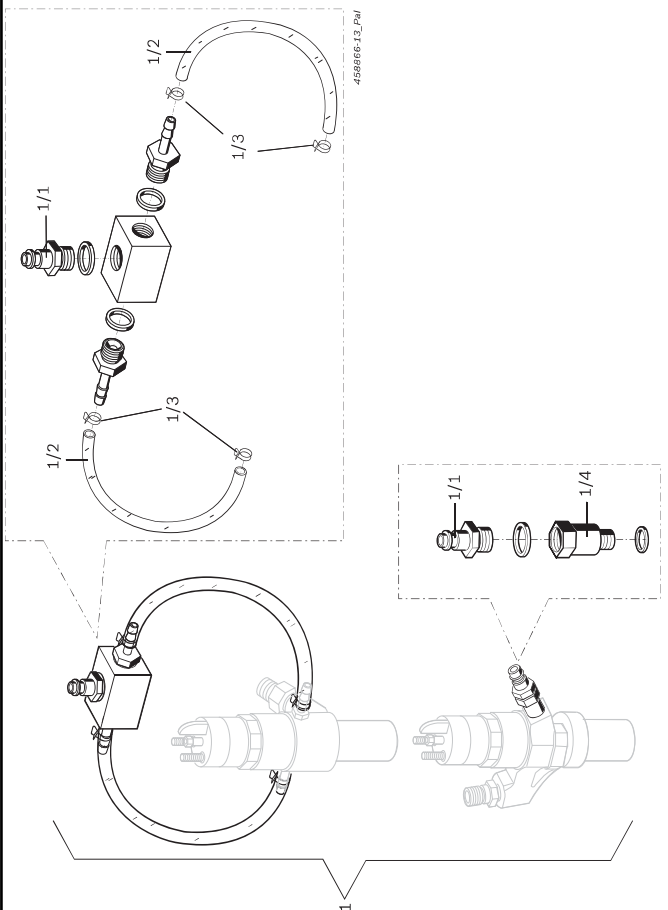


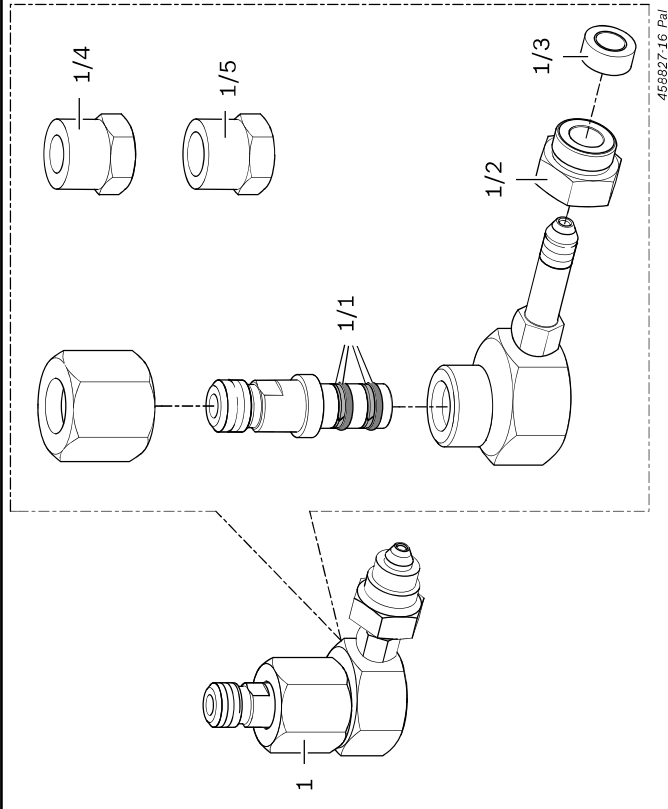
Pos.	Class	Intervall	Customer	Partnumber	BEZEICHNUNG (de)	IDENTIFICATION (fr)
					IDENTIFICATION (en)	IDENTIFICATION (es)
					Kommentar (de)	Comment (en)
1	●	-	X	1687016038	Teilesatz	Jeu De Pieces
					Parts Set	Juego De Piezas
					1x Adapter w. hose connection; 1x Adapter with internal thread	
1/1	●	-	X	1684484012	Stecknippel	Raccord Enfichable
					Socket Nipple	Niple De Enchufe
1/2	●	-	X	1680707110	PVC-Schlauch	Tuyau En PVC
					PVC Hose	Tubo De PVC
1/3	●	-	X	1684680011	Schlauchschele	Collier Pour Tuyau Souple
					Hose Clamp	Abrazadera P. Tubo Flex.
1/4	●	-	X	1681032078	Adapter	Adaptateur
					Adapter	Adaptador

Drawing



Pos.	Class	Intervall	Customer	Partnumber	BEZEICHNUNG (de)	IDENTIFICATION (fr)
					IDENTIFICATION (en)	IDENTIFICACION (es)
					Kommentar (de)	Comment (en)
1	●	-	X	1687023641	Adapter	Adaptateur
					Adapter	Adaptador
1/1	●	-	X	1680210150	Ersatzteilsatz	Jeu De Rechanges
					Service kit	Juego De Repuestos
					2x O-ring, 2x support ring	
1/2	●	-	X	1683345054	Mutter	Ecrou
					Nut	Tuerca
					Nut M18x1,5	
1/3	●	-	X	1680200100	Druckring	Bague De Pression
					Thrust Ring	Anillo De Presion
1/4	●	-	X	1683345065	Mutter	Ecrou
					Nut	Tuerca
					Adapter nut M12x1,5	
1/5	●	-	X	1683345066	Mutter	Ecrou
					Nut	Tuerca
					Adapter nut M14x1,5	

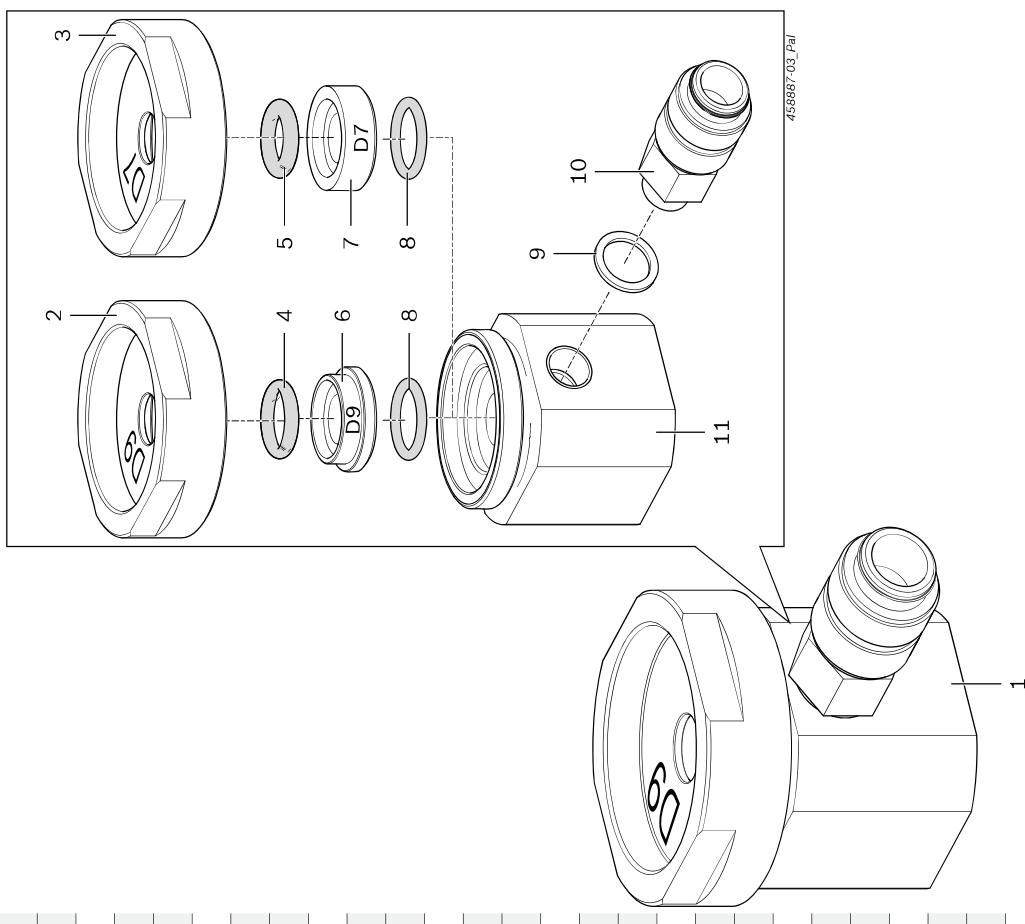
Drawing



458827-16_Pai

Pos.	Class	Intervall	Customer	Partnumber	BEZEICHNUNG (de)	IDENTIFICATION (fr)	IDENTIFICACION (es)	Comment (en)
					IDENTIFICATION (en)			
					Kommentar (de)			
1	●	-	X	1682312053	Einspritzkammer Injection cell Complete	Chambre D'injection Camara De Inyeccion		
2	●	-	X	1683373086	Klemmutter Lock Nut D9; 9 mm	Ecrou De Calage Tuerca De Apriete		
3	●	-	X	1683373087	Klemmutter Lock Nut D7; 7 mm	Ecrou De Calage Tuerca De Apriete		
4	●	-	X	1680210132	O-Ring O-Ring 9 x 3 mm	Joint torique Junta torica		
5	●	-	X	1680210124	O-Ring O-Ring 7 x 4 mm	Joint torique Junta torica		
6	●	-	X	1680109140	Dichtscheibe Sealing disk D9; 9 mm	Joint Junta		
7	●	-	X	1680109141	Dichtscheibe Sealing disk D7; 7 mm	Joint Junta		
8	●	-	X	1680210123	O-Ring O-Ring 12 x 2 mm	Joint torique Junta torica		
9	●	-	X	2916710605	Flachdichtring Flat Seal Ring DIN 7603 A 10 x 13,5x 1	Joint Plat Junta Plana		
10	●	-	X	1686490971	Schlauchkupplung Hose Coupling	Coupleur Pour Flexible Acoplamiento Para Tubo		

Drawing



Pos.	Class	Intervall	Customer	Partnumber	BEZEICHNUNG (de)		IDENTIFICATION (fr)	
					IDENTIFICATION (en)	Commentar (de)	IDENTIFICATION (es)	Comment (en)
1	●	-	X	1688005251	Halterung		Fixation	
					Holder		Sujecion	
1/1	●	-	X	1683052043	Welle		Arbre	
					Shaft		Eje	
1/2	●	-	X	1683104096	Bolzen		Boulon	
					Bolt		Perno	
1/3	●	-	X	1683104097	Bolzen		Boulon	
					Bolt		Perno	
2	●	-	X	1682305117	Halter		Support	
					Support		Soporte	
3	●	-	X	1686621067	Handrad		Volant De Manoeuvre	
					Handwheel		Volante De Mano	